



Rotary Form, Fill and Seal Machines FBM 30 - 33 / FBM 40 - 44

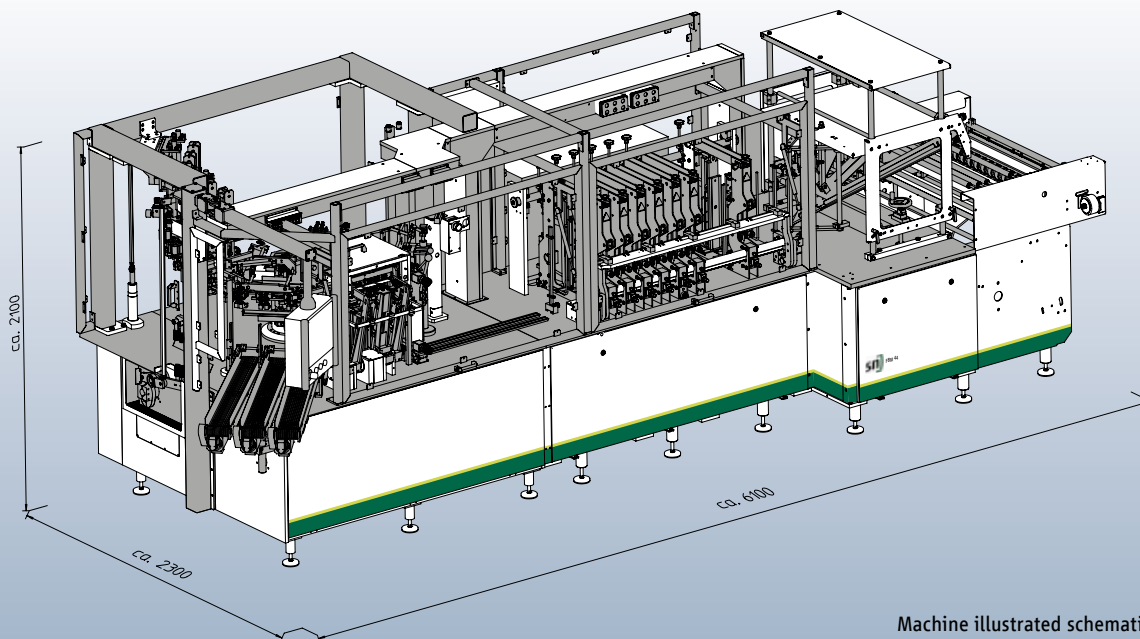
Intermittently working rotary machines with 8 stations, to form, fill and seal flat or stand-up pouches made from reel, also with reclosure systems.

Application range: Food, Pet Food, Beverages, Pharmaceuticals, Nonfood, Household, Personal Care.

- High quality construction and long life machine components
- Central operation and visualization via touch screen
- Dosing equipment: Slide doser, auger doser, scales, micro doser for smallest volumes, rotary and valve pumpdoser
- Hygienic construction and easy cleaning
- Peripheral units can be easily integrated
- Synchronization with linear and multi-head weigher



Uniquely customized.
Uniquely economical.



Machine illustrated schematically

Technical details FBM 30 - 33 and FBM 40 - 44

Specifications	FBM 30 321 TRIPLEX	FBM 33 325 TRIPLEX	FBM 40 416 QUADRO	FBM 44 421 QUADRO
Pouch size [mm]	Width 50 - 93 (100 ¹⁾ Length 70 - 210	Width 80 - 115 (130 ¹⁾ Length 120 - 250	Width 40 - 72 Length 70 - 160	Width 70 - 93 Length 80 - 210
Machine output [Pouches/min]	up to 300*	up to 300*	up to 400*	up to 400*
Packing material	sealable laminated film			
Construction	Standard to process dry products Optional wash down construction			
Safety equipment	Acc. to the international safety regulations e.g. CE , UL, CSA, OSHA			
Electricity power [kVA]	ca. 15 - 20 ²⁾			
Electricity supply	3 x 400/230V + N + PE, 50/60 HZ			
Voltage [V]	400 / 230 / 24			
Air consumption	ca. 650 NI/min, 6 bar ²⁾		ca. 500 NI/min, 6 bar ²⁾	
Machine dimensions L x W x H [mm]	ca. 6.100 x 2.350 x 2.200 ²⁾			

¹⁾ Available on request. ²⁾ Depending on configuration. Technical modifications reserved.

Standard equipment	Optional equipment
Pouch control (no pouch – no filling)	Date code systems
Cutting and glueing table	Wash down construction
Film edge control	Ultrasonic sealing
Motor driven roll lifting unit	Reclosure systems
Central operation and convenient process control	Recipe management
PLC Siemens or Allen Bradley	Mirrored machine design
Teleservice	Nitrogen gassing
	(further details on request)

